

Installation Guide

Decking Boards

Disclaimer: Consult your local building code to ensure your project is installed in accordance with local requirements. Also, consult your local building office to understand permitting requirements. Drawings and schematics used to show where to place screws and nails are for reference purposes only. Safety glasses and a dust mask should always be worn when working with **TIMBRA Tech®** products. Drilling, sawing, sanding, or machining wood products generates wood dust. Avoid inhaling wood dust or use a dust mask or other safeguards for personal protection.

1.

Storage

Whenever possible, store **TIMBRA Tech®** decking boards indoors. The decking should be kept away from direct sunlight, as UV rays will cause the colour to fade. If stored outside, ensure the boards are elevated at least 150 mm from the ground, stacked evenly, and covered with a waterproof, light-impermeable cover. Leave the ends of the cover unfastened to allow ventilation, preventing moisture damage. **TIMBRA Tech®** decking should never be left in the rain or exposed to excess moisture when in its original packaging, as it will not dry properly when tightly packaged. If possible, store the boards at the installation site for a few weeks prior to installation to allow them to acclimatize to the moisture conditions, using a protective cover to prevent moisture damage.

2.

Building a Proper Substructure and Avoiding Moisture Damage

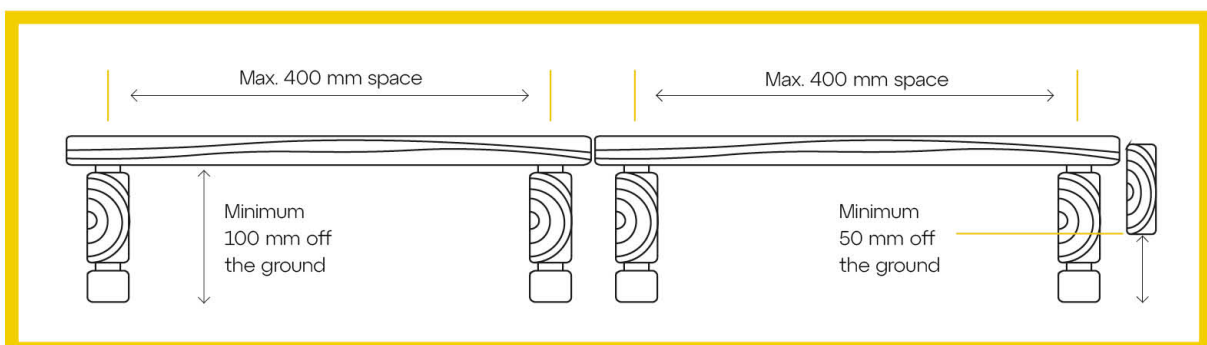
- **IMPORTANT:** Check the boards thoroughly for any manufacturing or moisture defects, as well as transport-related damage, prior to installation. Do not install defective boards.

ONCE INSTALLED, PRODUCTS ARE DEEMED TO HAVE BEEN ACCEPTED IN TERMS OF QUALITY.

Allow for 10 percent wastage when purchasing.

Substructure:

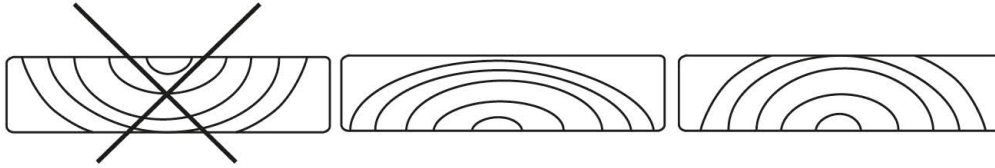
- **TIMBRA Tech®** decking must be laid on level joists.
- We recommend using **TIMBRA Tech®** thermally modified Pine or hardwoods with a minimum density of 750 kg/m^3 and minimum natural durability class 2, with approximate dimensions of 38/40/45x60/70/75 mm, or metal joists, to ensure that your joists last as long as your decking.
- The maximum recommended space between joists is 400 mm.
- When connecting two boards lengthwise, ensure the ends of both boards are laid on separate joists if the width of the joists is less than 70/80 mm. Otherwise, the fixings will be too close to the ends of the boards.



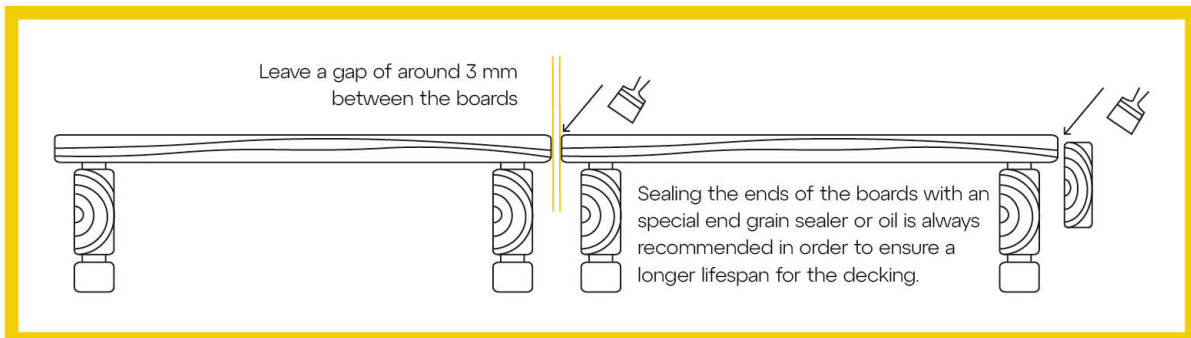
Avoiding Moisture Damage:

- ✚ **TIMBRA Tech**® decking products should never be installed in contact with the ground or a rooftop surface. Ensure there is proper airflow underneath the decking to avoid trapped moisture.
- ✚ Proper drainage is essential to direct water away from the structure. Ensure the ground beneath your decking is at an appropriate angle to prevent water pooling.
- ✚ It is crucial for air to circulate underneath the decking. Do not allow moisture to be trapped beneath it. Refer to our Deck Ventilation Technical Bulletin TB_TT 002/VO1 for more information..
- ✚ Decking boards should be laid at least 100 mm above the ground. The best practice is to shim the joists to allow for air circulation and drying.
- ✚ Wood must not be in direct contact with wood. When installing decking boards with screws, use spacers or distance strips to leave a gap of approximately 4-8 mm between the boards and the joists. This will minimize trapped moisture and prevent mold or fungi development.
- ✚ The ends and sides of the **TIMBRA Tech**® deck must be left open to allow air circulation. When using skirting boards, install them with air gaps and leave a space of at least 50 mm from the ground. When the decking is next to a wall, leave a gap of at least 20 mm between the wall and the decking.
- ✚ We recommend covering the top of the joists with UV-resistant decking tape to avoid moisture damage.
- ✚ The ends of the boards should always be finished with a special wax or oil.
- ✚ Leave a 4-mm air gap between decking boards up to 112 mm, and a 6-mm gap for wider boards. Proper air gaps help to prevent swelling due to trapped moisture.
- ✚ For Benchmark Basic decking, ensure the heartwood side of the board is placed face down. When installing Thermo Pine decking, we recommend keeping the nicer-looking side facing upwards.

BASIC HEARTWOOD DOWN



Note: The formation of splits and cracks on the surface of the wood and changes to its shape and dimensions due to air humidity is a natural process. Therefore, board specifications are only valid at the time of purchase.

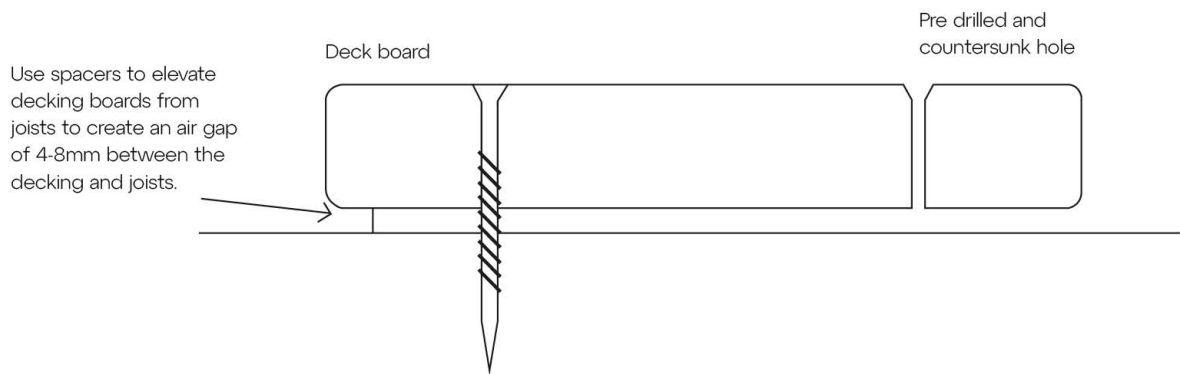


3.

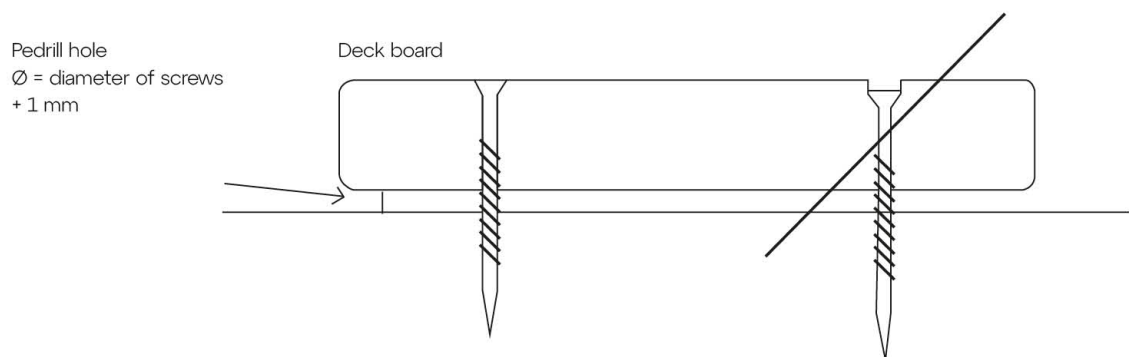
Installation with Screws

- Always use stainless-steel screws for installing **TIMBRA Tech**[®] decking boards.
- When installing Benchmark PERFORMANCE and EXCELLENCE Selection, pre-drilling is required to avoid cracking. Countersinking the pre-drilled hole is a must. The pilot hole should be 1 mm larger in diameter than the screw to allow for necessary board movement and prevent shear stress on screws.

- Benchmark Basic can be installed using self-tapping screws. Set the power drill's clutch to a medium setting. The head of the screw should sit flush with the surface of the board.
- We recommend using spacers to elevate decking boards from joists, creating an air gap of 4-8 mm between the decking and joists.



- **IMPORTANT:** The screw heads should not penetrate too deeply into the wood. They should sit snugly and be roughly level with the wood surface to reduce the risk of water absorption. Driving the screw too deep can split the decking board and strip the fiber off the wooden joist, causing the board to fracture around the screw head and result in squeaking.

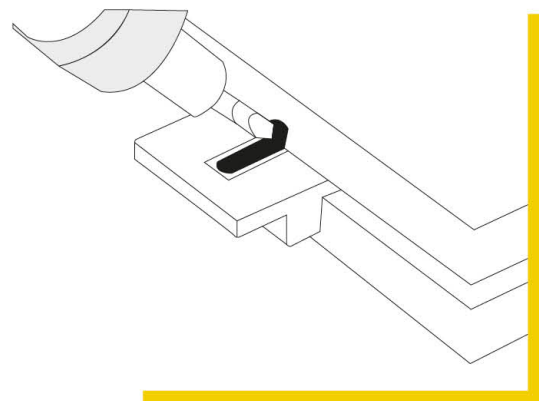


When screwing through the face of the boards, leave a distance of approximately 20 mm from the edges and at least 35 mm from the ends to avoid splitting.

4.

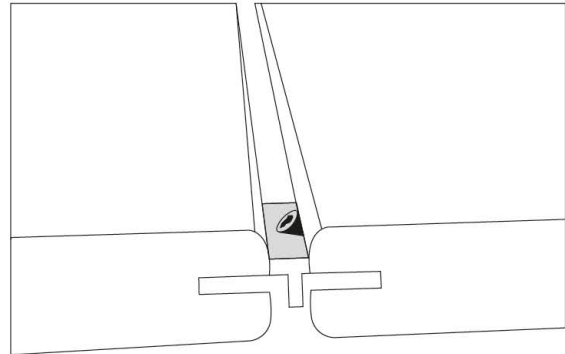
Installation Systems for Hidden Fixing

- ✚ All hidden installation system clips must be screwed into every joist to prevent damage to boards due to excessive span.
- ✚ Pre-drill and then face-screw the outside edges of the first and last decking boards using stainless-steel screws.
- ✚ We recommend using spacers or distance strips under the clips to provide additional ventilation beneath the boards.
- ✚ Cover the top of the joists with UV-resistant decking tape to avoid moisture damage.
- ✚ Insert one clip fastener into the slot or groove of the deck board above each joist. When two boards meet on a single joist, only one fastener is needed. Pre-drill a 3.175 mm pilot hole at a 45° angle for each screw when installing clip fasteners into decking. Pre-drilling should be done through the wood, not into the joist. This avoids splintering and ensures the decking is pulled tight to the joist by the screw.
- ✚ Run a stainless-steel screw at approximately a 45° angle through the hole in the center of the thermoClip® fastener, through the pre-drilled deck board, and into the joist. It should not take much downward pressure to tighten the deck board. Once the board is snug to the joist, install another fastener clip over the next one. Secure each board using one fastener and one screw per joist.



Predrill a pilot hole

↘ Slide the next deck board onto the installed clip fastener protruding from the previous board. The next board will have clip hidden fasteners installed on the opposite edge for fastening.



Installing the next board over the exposed side of the clip

↘ On the last deck board, fastening clips will not be used, and it will be necessary to fasten the outside edge with face screws every 400 mm.

5. **DeckWise® Compatibility and Performance**



The **TIMBRA Tech®** Excellence line has been rigorously tested and certified in combination with DeckWise® products.

Recommended Installation Systems

To ensure satisfactory performance under conditions of use, the following DeckWise® components are recommended:

- ↘ Hidden Fixing Systems: use of clips and screws specifically designed for DeckWise® decking.
- ↘ Wood Protection: DeckWise® WiseCoat® wood protection system.

This combination of solutions ensures a cohesive, durable decking system with proven long-term performance.

6.

Installation Click System Powered by GRAD®



TIMBRA Tech® products combine high-quality thermally modified products with the unique Grad® installation system. This hidden fastening solution is designed for quick and easy installation. TIMBRA Tech® boards have grooves on the underside that perfectly fit Grad® clips or aluminium rails with pre-mounted Grad® clips. As a result, there are no visible screw heads. The boards are simply pressed and clicked into place.

The Advance, Performance and Excellence product lines are tested and approved. Please refer to our Product Profile Guide to check the available profiles and dimensions.



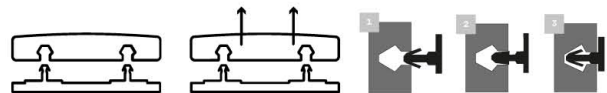
Easy Installation



Just Press and Click



Grad Simple Click



The boards click into place when depressed and it's done.

More Information: www.grad-system.com

7.

Final Considerations and Best Practices

After installing your decking, it's important to keep the surface free of leaves, needles, and other moisture-retaining debris that can promote premature decay. The correct installation and maintenance practices are important for a beautiful and long-lasting deck. Please carefully follow the requirements in this guide and remember that wood is a natural material that will always react to external conditions. For more information, please refer to our Maintenance Guide Technical Bulletin TB_TT001/V01.

8.

Warranty

TIMBRA Tech[®] products are covered under a limited 20-year Warranty. This **TIMBRA Tech**[®] warranty is made to the original purchaser of the product(s) (the “Purchaser”); the original owner of the structure on which the product(s) are installed; and to the next owner of that structure (together “Owner”). **TIMBRA Tech**[®]s express warranties are not transferable to any subsequent owners of the structure. **TIMBRA Tech**[®] warrants that the product(s) will remain free from fungal degradation, buckling, structural failure, separating, and rupturing for a period of 20 years from the date the installation is completed. This warranty applies when the product(s) have been stored, handled, applied, finished, and maintained in accordance with **TIMBRA Tech**[®]s installation, application, finishing, and maintenance instructions in effect at the time of application. Colour and applied finishes are not covered under warranty. These warranties apply only to above-ground installations made in compliance with the instructions. Be sure to consult the full product warranty for specific questions.