

# Airflow and Proper Ventilation

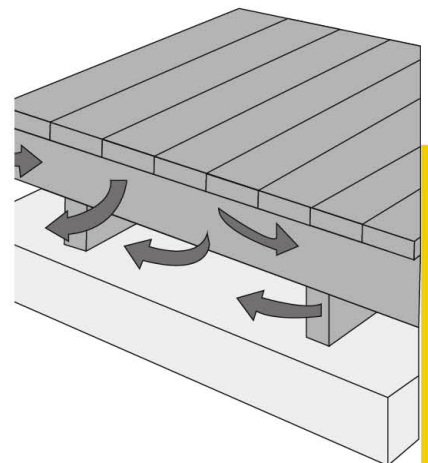
## 1.

### Airflow and Proper Ventilation

Airflow beneath and around the deck is one of the most important factors in preserving **TIMBRA Tech® Thermally Modified Decking**. Proper ventilation prevents moisture buildup, which can lead to deterioration, mold growth, and structural damage.

**Recommendations for ensuring proper ventilation:**

- ✦ **Maintain a minimum deck height:**  
There should be at least 150 mm (6 inches) of clearance between the ground and the underside of the deck to allow sufficient airflow. In regions with high humidity or extreme heat, consider increasing this clearance to promote more effective air circulation.
- ✦ **Install lateral ventilation openings:**  
Incorporate side vents at the deck's edges or along the perimeter to enhance airflow around the structure.



- ✦ **Avoid airflow obstruction:** Ensure that vegetation or objects do not block ventilation beneath the deck. Avoid placing the deck directly on the ground or on impermeable surfaces that restrict airflow.

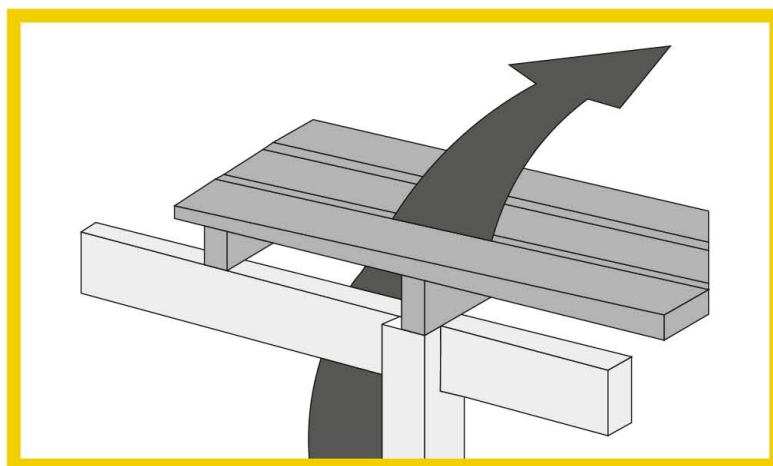
## 2.

### Moisture Control

Although **TIMBRA Tech**<sup>®</sup> is naturally more resistant to moisture due to thermal modification, it can still be impacted by prolonged exposure to water. Proper ventilation significantly reduces the risk of moisture retention beneath the deck.

#### Tips for moisture control:

- ✦ **Inspect regularly:** Periodically check the underside of the deck to confirm that drainage and ventilation systems are functioning as intended.
- ✦ **Use drainage systems when needed:** In areas with frequent rain or high humidity, consider installing sub-deck drainage solutions to channel water away from the structure.
- ✦ **Protect against excess moisture:** While **TIMBRA Tech**<sup>®</sup> wood is more resistant to mold and rot, prolonged exposure to moisture may affect its appearance. The application of a breathable waterproof coating may be considered, as long as it does not inhibit airflow.



Airflow

### 3.

## Final Considerations

Proper installation of **TIMBRA Tech**<sup>®</sup> wood decking requires close attention to ventilation and moisture management. Ensuring adequate airflow, appropriate board spacing, and effective drainage are key to preserving the deck's performance and appearance over time.

Keep in mind that the durability and stability of the product depend on a well-prepared base with adequate support and ventilation. By following these guidelines, you will create optimal conditions for the longevity and beauty of your **TIMBRA Tech**<sup>®</sup> deck.